

MNT-REC2

Recessed Mount Bracket

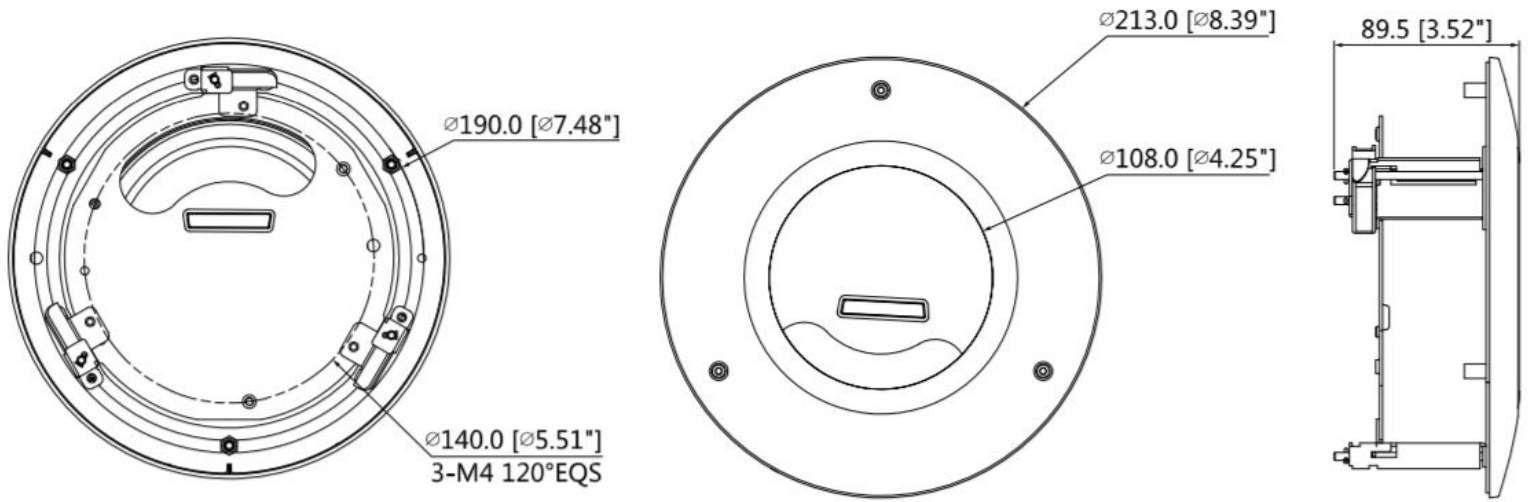


- Aesthetic design
- Material: SECC & PC
- Fits large-sized Dome cameras such as IPEL-D40V-IRW1 and IPEL-D30V-IRW1
- Includes (3) M4 screws, (1) Wrench

Technical Specification

Model	MNT-REC2
Physical Properties	
Material	SECC & PC
Dimension(W xH xD)	8.39"x3.52" (213mmx89.5mm)
Weight	0.61kg (1.34lb)
Load Bearing	1.5kg (3.31lb)
Color	White
Operating Temperature	40°C~60°C(-40°F~140°F)
Humidity	0~90% RH
Inch Thread	G3/4"
Applicable Models:	IPFX/IPEG-D20V, D40V and D80V series, AVS-D2218Z. See Accessory Compatibility List.

Dimensions (mm/in)



Application

